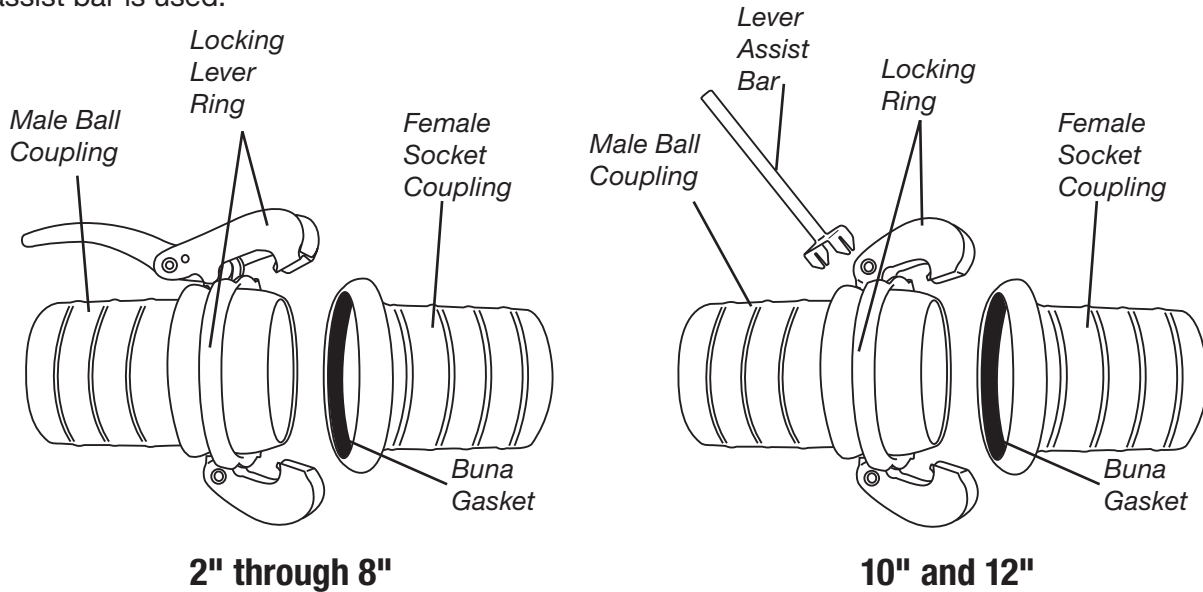


Sphere Lock™ Connection Types

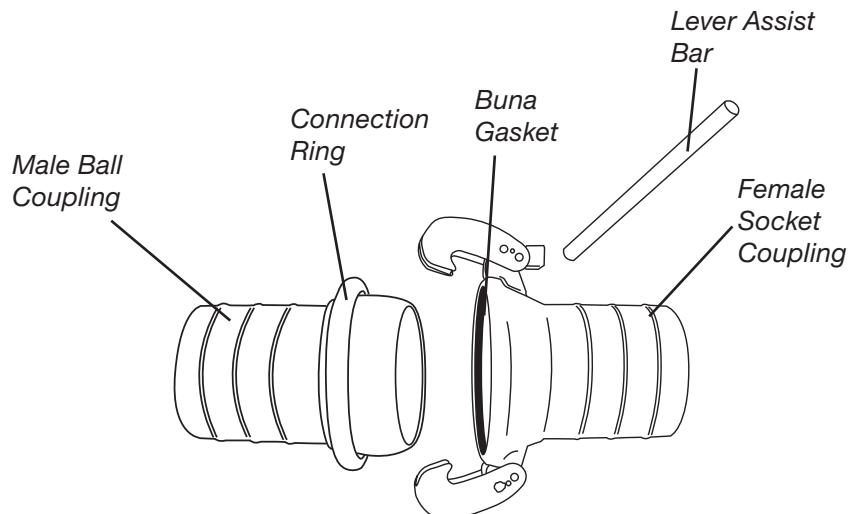
TYPE B CONNECTION

The type B connection is the most popular, consisting of a male ball coupling, female socket coupling and either a locking lever ring (2" through 8") or locking ring (10" and 12"), which fits over the male ball coupling's shank. The latches on the locking rings hook onto the female coupling and are tightened by either pushing down on the locking lever ring's handle, or in the case of the locking ring, a separate lever assist bar is used.



TYPE A CONNECTION

The type A connection is less common than type B and generally only available in larger sizes. It consists of the male ball coupling, the female socket coupling and a connection ring, which fits over the male ball coupling's shank. Instead of using a separate locking lever ring on the male ball coupling, the latches are attached directly to the female socket coupling and hook over the connection ring on the male. The connection is tightened by pushing down on a separate lever assist bar.



Because we continually examine ways to improve our products, we reserve the right to alter specifications or discontinue products without prior notice.