

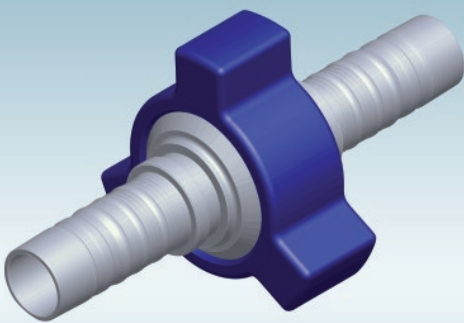
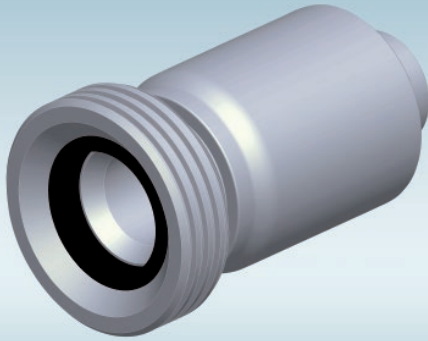
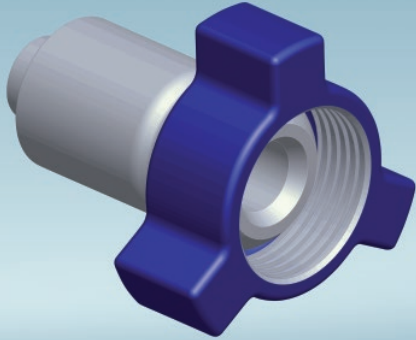


Kuriyama Hydraulic
Connections™

EDITION 0119

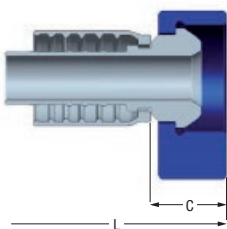
ALFAGOMMA®

HAMMER UNION FIG.1502
INTEGRAL FITTINGS
2" SIZE



- **TWO-PIECE INTERLOCK AND ALFAGRIMP ONE-PIECE NO-SKIVE VERSIONS**
- **INTEGRAL FITTINGS, NO NEED OF ADAPTERS**
- **NO WELDED PARTS, SOLID ONE-PIECE**
- **DIRECT, COMPACT AND SMART SOLUTION**
- **ALFAGOMMA LONG LENGTH UP TO 61 m (200 ft) HOSES, TO REDUCE UNIONS**
- **THE LESS PARTS INVOLVED, THE SAFEST RESULT, THE HIGHEST PERFORMANCE**
- **TOP COAT PLATING**

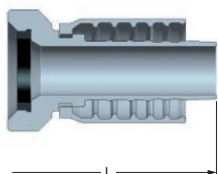
FOR ALFABIOTECH 5000, FLEXOR RIG™, AND ALFABIOTECH 4000
MINETUFF AND SUPERTUFF COVERS



Male Hammer Union Fig. 1502 integral fitting with Lug Nut

Part Number	Dash	Hose ID (in)	Hose ID (mm)	C Cut-Off (mm)	L Overall Length (mm)	Weight Each (lbs)
F-3232-MHUN	32	2	50.8	60	185.5	14.55

(One Piece No-Skive)



Female Hammer Union Fig. 1502 integral fitting with Rubber Ring

Part Number	Dash	Hose ID (in)	Hose ID (mm)	C Cut-Off (mm)	L Overall Length (mm)	Weight Each (lbs)
F-3232-FHUN	32	2	50.8	56.5	182	5.52

(One Piece No-Skive)

**HOSES TO BE USED WITH HAMMER UNION FIG. 1502
IN LENGTH UP TO 61 m (200 ft)**



Hose Model	↔		↔		⬇		⬆		⤵		⏪		
	Dash	(in)	(mm)	(in)	(mm)	Mpa	psi	Mpa	psi	(in)	(mm)	kg/m	lbs/ft
Flexor Rig™	32	2	51	2.76	70.2	35	5000	140	20000	21.7	550	6.16	4.14
Alfabiotech 4000	32	2	51	2.63	66.8	28	4000	112	16000	20.9	530	4.47	3.01
Alfabiotech 5000	32	2	51	70.2	70.2	35	5000	140	20000	21.7	550	6.16	4.14
Alfabiotech 6000	32	2	51	71.0	71.0	42	6000	168	24000	25.0	635	6.50	4.37

Note: Flexor Rig hoses have a perforated cover

ALFAGOMMA FIG. 1502 HAMMER UNION FITTINGS

- Obtained by bar drilling from the highest quality raw material
- Designed to allow the most compact and direct union
- Several insert and ferrule versions available, to fit different multispiral hoses
- Conformity to API requirements
- Top Coat Plating



LUG NUT AND LIP TYPE RUBBER RING ALSO AVAILABLE AS SPARE PARTS

Lug Nut 1502 Hammer Union



Part Number - I1DE103-051
Self-locking Acme thread lug nut, quick make-up and break-out

Rubber Ring 1502 Hammer Union



Part Number – INJME1-051
Replaceable lip type rubber ring to ensure pressure seal

Alfacrimp one-piece no-skive fittings

Hydraulic Hoses